



UR 54-0026

Figure 99 Location of fuse boxes

Key to Wiring Diagram 404.1

- 1 Horn button
- 2 High volume horn signaling system
- 3 Signaling horn
- 4 Map light
- 5 Socket/hand light
- 6 Blackout light, left
- 7 Turn signal/clearance light, left
- 8 Headlights, left
- 9 Headlights, right
- 10 Turn signal/clearance lights, right
- 11 Blackout light, right
- 12 Windshield wiper, left
- 13 Windshield wiper, right
- 14 Cable connector

- 15 Alarm switching unit
- 16 Multi-tone switching unit
- 17 Switch for alarm switching unit
- 18 Turn signal switch
- 19 Instrument illumination
- 20 Cable connector
- 21 Relay for multi-tone switching unit
- 22 Relay for multi-tone switching unit
- 23 Ignition distributor
- 24 Spark plugs
- 25 Turn signal indicator light
- 26 Turn signal sending unit
- 27 Switch for windshield wiper, left
- 28 Switch for windshield wiper, right
- 29 Alarm indicator light
- 30 Ignition coil
- 31 Switch for instrument illumination
- 32 Cable connector
- 33 Buzzer (with special body)
- 34 Series resistor
- 35 High beam indicator light
- 36 Switch for heater
- 37 Heater
- 38 Switch for buzzer
- 39 Switch for buzzer (trailer)
- 40 Fuse boxes

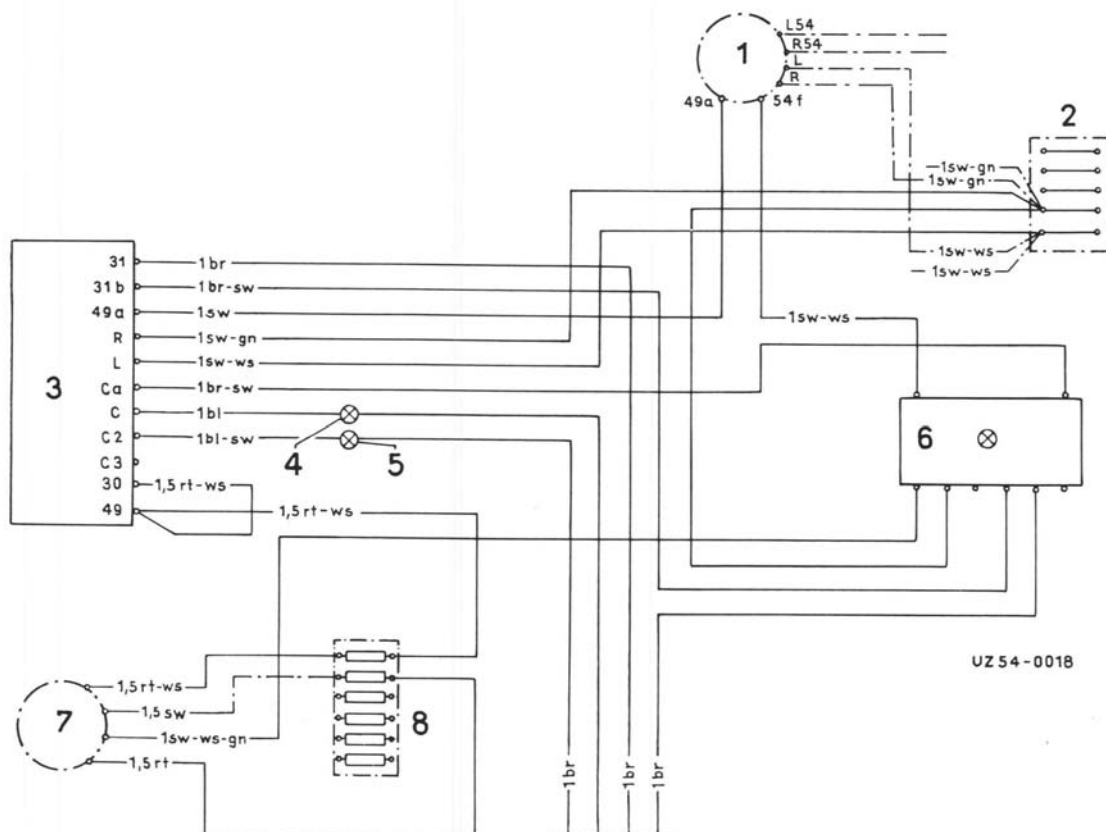
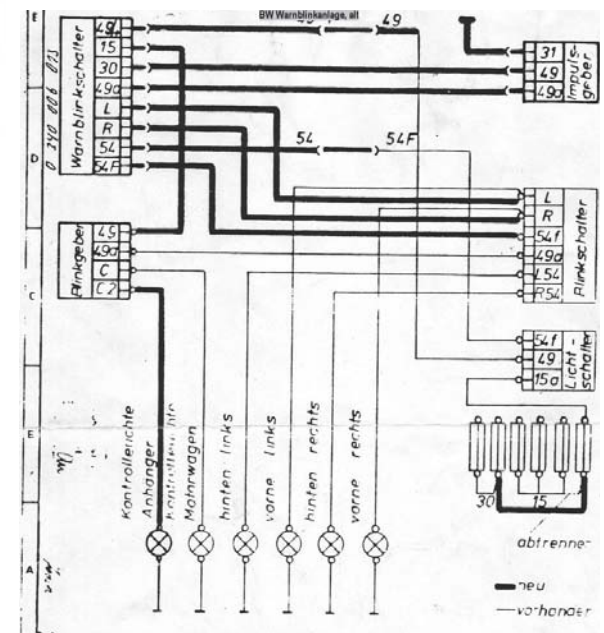
- 41 Red cross light
- 41 Cable connector
- 43 Fuel gauge sending unit
- 44 Dimmer switch
- 45 Socket
- 46 Stop light switch
- 47 Light switch
- 48 Interior light
- 49 Lever switch for interior light
- 50 Rotating beacon
- 51 Ignition switch
- 52 External power socket
- 53 Cable connector
- 54 Charge indicator light
- 55 Starter button
- 56 Battery master switch
- 57 Generator
- 58 Regulator
- 59 Starter
- 60 Battery
- 61 Turn signal/stop light/tail light, left
- 62 Blackout stop light
- 63 Trailer plug, 12-pin
- 64 Cable connector
- 65 Convoy light
- 66 Turn signal/stop light/ tail light, right

78

Fuse box	Fuse No.	Power consuming units	Ampereage
I	1	Turn signal/clearance light, right Turn signal/clearance light, left Trailer socket E (cable connector in special body)	8
	2	License plate light	4
	3	Tail light, right	4
	4	Dimmer light, left	4
	5	Dimmer light, right	4
	6	High beam, left	4
II	7	High beam, right High beam indicator light	4
	8	Blackout light, left	4
	9	Blackout light, right	4
	10	Blackout tail light, right and left Trailer socket A and C	4
	11	Convoy light, trailer socket	4
	12	Trailer socket K (buzzer)	4
III	13	Connection, relay for high volume horn	8
	14	Socket/hand light	8
	15	Signal horn, instrument illumination	8
	16	Windshield wiper, left and right Heater and ventilation	8
	17	Light switch	4
	18	—	4

Wiring Diagram Item No.	Power consuming units/lamps	Output W	Lamp Type
4	Map light	2	H
6, 11	Blackout light	20	R
7, 10	Turn signal light	20	R
7, 10	Clearance light	4	HL
8, 9	Headlight, high and low beam	45/40	B
19	Instrument illumination	2	H
25	Turn signal indicator light	2	H
29	Alarm indicator light	2	H
35	High beam indicator light	2	H
41	Red cross light	7	G
48	Interior light (body)	7	G
50	Rotating beacon	45	U
54	Charge indicator light	2	H
61, 66	Turn signal light, rear	20	R
61, 66	Stop light	20	R
61, 66	Tail light	5	G
62	Blackout stop light	2	H
65	Convoy light	2	H

Lamps according to DIN 72601



Key to Supplementary Wiring Diagram Hazard Warning Flasher System 404.1

- 1 Flasher switch
- 2 Cable connector
- 3 Hazard warning flasher sending unit
- 4 Turn signal indicator light
- 5 Turn signal indicator light, trailer
- 6 Hazard warning flasher switch
- 7 Light switch
- 8 Fuse box III

Note:
Hazard warning flasher sending unit (3) in place of (standard) sending unit.
- . - - available lines and equipment